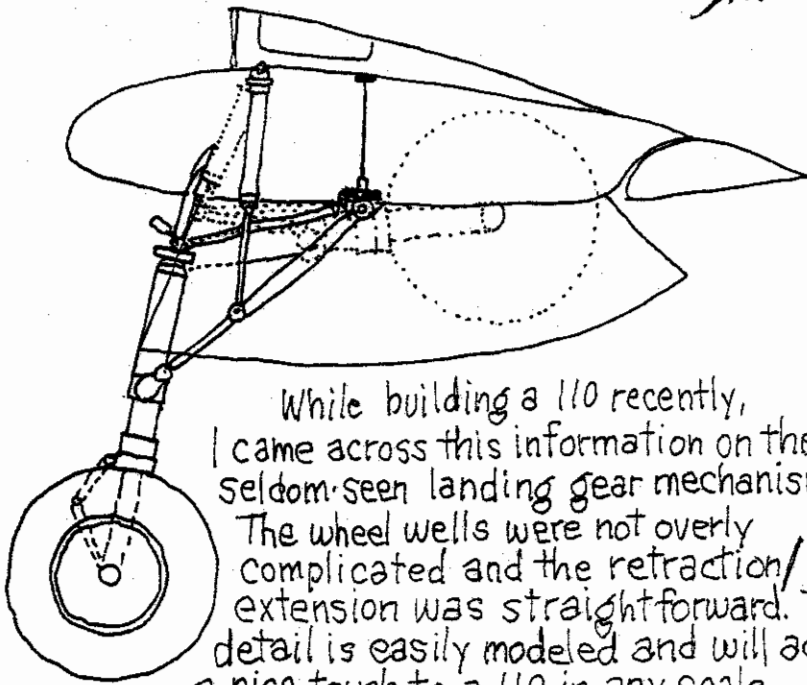
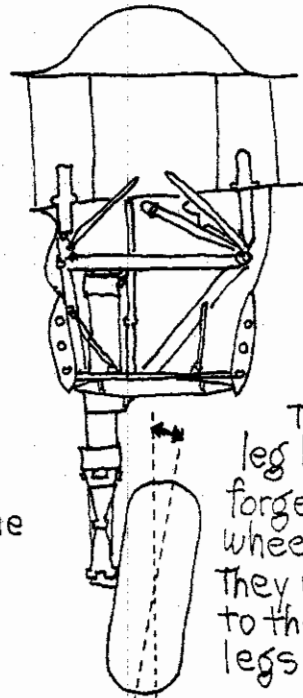


ME-110 LANDING GEAR

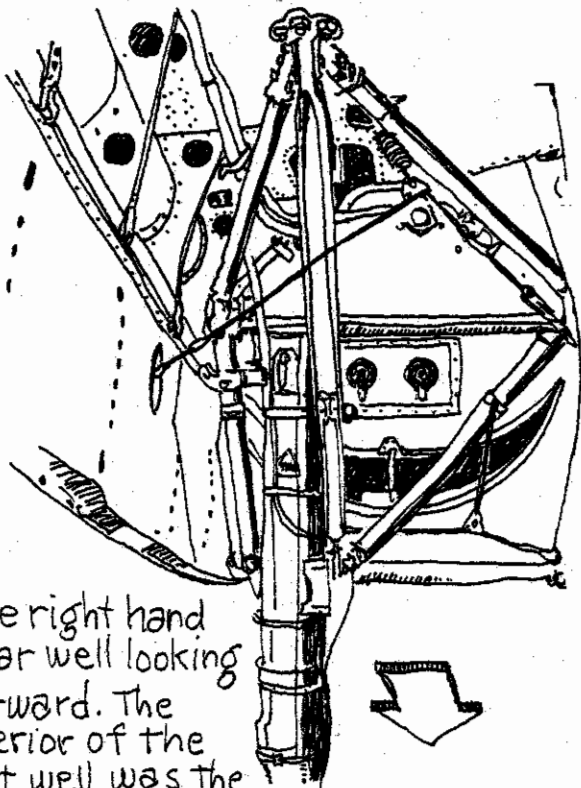
Sketchpage by Bill Bosworth



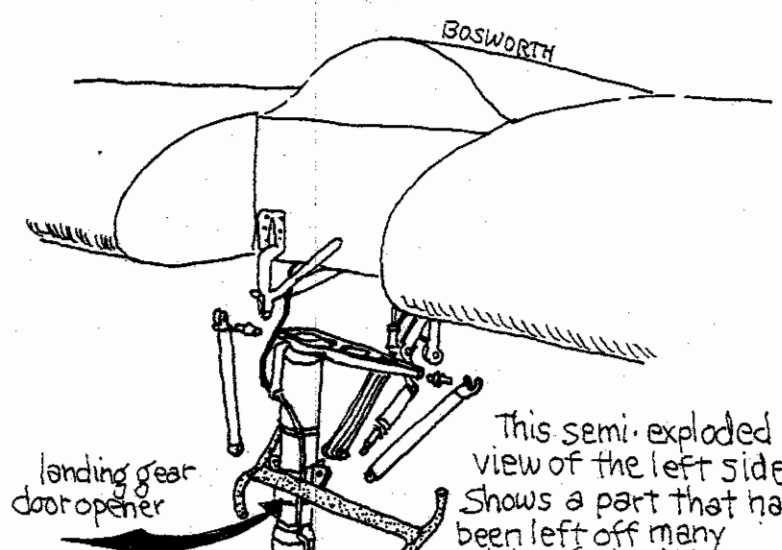
While building a 110 recently, I came across this information on the seldom-seen landing gear mechanism. The wheel wells were not overly complicated and the retraction/extension was straightforward. The detail is easily modeled and will add a nice touch to a 110 in any scale.



This is the left leg looking aft. Don't forget to place the wheels on an angle. They were not parallel to the landing gear legs.



The right hand gear well looking forward. The interior of the left well was the same with the items reversed.



landing gear door opener

This semi-exploded view of the left side shows a part that has been left off many models of the 110... the landing gear door opener.

This simple device was located on the front of the gear leg and pushed the doors open as the gear was lowered. Retraction was by a mechanical/cable mechanism. Very simple.